

DS-2DE5220I-AE

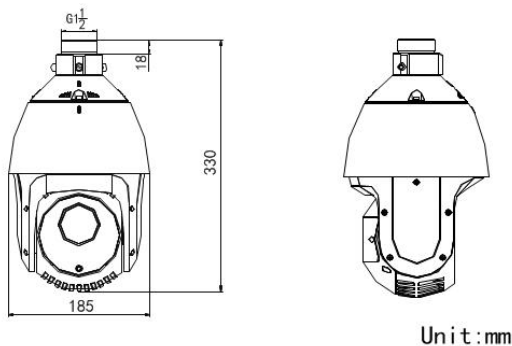
2 MP 20x Network IR PTZ Dome Camera



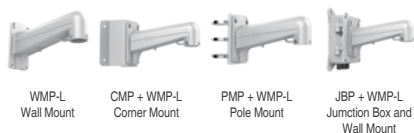
Key Features

- 2 Megapixel High Resolution, 1920 x 1080
- 4.7 mm to 94 mm, 20x Optical Zoom
- Smart Detection
- Defog
- IR Range 150 Meters (~490 Feet)
- 24 VAC, PoE+ (802.3at)
- IP66 and IK10 Protection

Dimensions



Accessories



Order Model

DS-2DE5220I-AE, 24 VAC/PoE+, outdoor

DS-2DE5220I-AE	
Camera Module	
Image Sensor	1/2.8" progressive scan CMOS
Minimum Illumination	Color: 0.02 lux @ f/1.5, AGC on, 50 IRE; B/W: 0.002 lux, 0 lux with IR
Max. Image Resolution	1920 × 1080
Focal Length	4.7 mm to 94.0 mm, 20x
Digital Zoom	16x
Zoom Speed	Approximately 3 s (optical wide to tele)
Angle of View	58.3° to 3.2° (wide to tele)
Min. Working Distance	10 mm to 1,000 mm (wide to tele)
Aperture Range	f/1.6 to f/3.5
Focus Mode	Auto/semiautomatic/manual
WDR	Digital
S/N Ratio	≥ 52 dB
Shutter Speed	1 s to 1/10,000 s
AGC	Auto/manual
White Balance	Auto/manual/ATW/indoor/outdoor/daylight lamp/sodium lamp
Day/Night	IR cut filter
Privacy Mask	24 privacy masks programmable; optional multiple colors and mosaics
Enhancement	3D DNR, Defog, HLC/BLC
Pan and Tilt	
Range	Pan: 360° endless; tilt: -15° to 90° (auto flip)
Speed	Pan manual speed: 0.1° to 400°/s, pan preset speed: 400°/s Tilt manual speed: 0.1° to 200°/s, tilt preset speed: 200°/s
Number of Presets	300
Patrols	8 patrols, up to 32 presets per patrol
Park Actions	Preset/patrol/pattern/pan scan/tilt scan/random scan/frame scan/panorama scan
Scheduled Tasks	Auto scan/frame scan/random scan/patrol/pattern/preset/panorama scan/tilt scan/dome reboot/dome adjust/aux output
Features	
Detection	Intrusion detection, line crossing detection, audio exception
ROI Encoding	Supports 2 areas with adjustable levels
Infrared	
IR Distance	Up to 150 meters (~490 feet)
IR Intensity	Automatically adjusted, depending on the zoom ratio
Input/Output	
Alarm I/O	2/1
Alarm Triggers	Intrusion detection, line crossing detection, audio exception detection, motion detection, audio exception detection, dynamic analysis, tampering alarm, network disconnect, IP address conflict, storage exception
Alarm Actions	Preset, patrol, pattern, recording, relay output, upload center, upload FTP, e-mail linkage
Audio Inputs	1 mic in/line in interface, line input: 2 to 2.4 V[p-p]; output impedance: 1 K Ω, ±10%
Audio Output	1 audio output interface, line level, impedance: 600 Ω
Alarm Input	2 (0 to 5 VDC)
Alarm Output	1 relay output, alarm response actions configurable
Alarm Triggers	Intrusion detection, line crossing detection, motion detection, audio exception detection, dynamic analysis, tampering alarm, network disconnect, IP address conflict, storage exception
Alarm Actions	Preset, patrol, pattern, recording, relay output, upload center, upload FTP, e-mail linkage
Network	
Ethernet	10Base-T/100Base-TX, RJ-45 connector
Main Stream	30 fps (1920 × 1080, 1280 × 960, 1280 × 720)
Sub Stream	30 fps (704 × 480, 352 × 240, 176 × 120)
Image Compression	H.264/MJPEG
Audio Compression	G.711ulaw/G.711alaw/G.726/MP2L2/G.722
Protocols	IPv4/IPv6, HTTP, HTTPS, 802.1X, QoS, FTP, SMTP, UPnP, SNMP, DNS, DDNS, NTP, RTSP, RTP, TCP, UDP, IGMP, ICMP, DHCP, PPPoE
Simultaneous Live Views	Up to 20 users
MicroSD Memory Card	Supports up to 128 GB microSD/SDHC/SDXC card. Supports Edge recording
User/Host Level	Up to 32 users, 3 levels: administrator, operator, and user
Security Measures	Three level user authentication, password authorization, HTTPS and SSH certificate, IEEE802.1X, basic and digest authentication, watermark, IP address filtering, log-in lockout
System Integration	
Application Programming	Open-ended API, supports ONVIF, PSIA, CGI, and ISAPI
Web Browser	IE 7+, Chrome 18+, Firefox 5.0+, Safari 5.02+
Power	24 VAC, PoE+ (802.3at), maximum 30 W
Working Temperature	-30° C to 65° C (-22° F to 149° F)
Humidity	90% or less
Protection Level	IP66, IK10, TVS 4,000 V lightning protection, surge protection and voltage transient protection
Impact Protection	Outdoor: IEC60068-275Eh, 20J; EN50102, up to IK10
Certification	FCC, CE, UL, RoHS, IEC/EN 61000, IEC/EN 55022, IEC/EN 55024, IEC/EN60950-1
Dimensions	Φ7.28" x 13" (Φ185 mm × 330 mm)
Weight (approximate)	8.81 lbs (4 kg)