

Smart Wireless Cube Camera

C1L-2WN



Key Features

- Day/night functionality
- Smart IR , up to 10 m (32 ft) IR distance
- Built-in Mic/Speaker
- Wi-Fi
- Micro SD, up to 256GB

Specifications

| | | |
|---------------|----------------------|---|
| Camera | Sensor | 1/2.7", 2.0 megapixel, progressive scan, CMOS |
| | Lens | 2.8mm@F2.0 |
| | Angle of View (H) | 100° |
| | Axis | 3-Axis |
| | Day/Night | IR-cut filter with auto switch (ICR) |
| | Minimum Illumination | Colour: 0.01Lux (F2.0, AGC ON) 0Lux with IR on |
| | IR Range | Up to 10m (32ft) IR range |
| | WDR | DWDR |
| Video | Video Compression | Ultra 265, H.265, H.264, MJPEG |

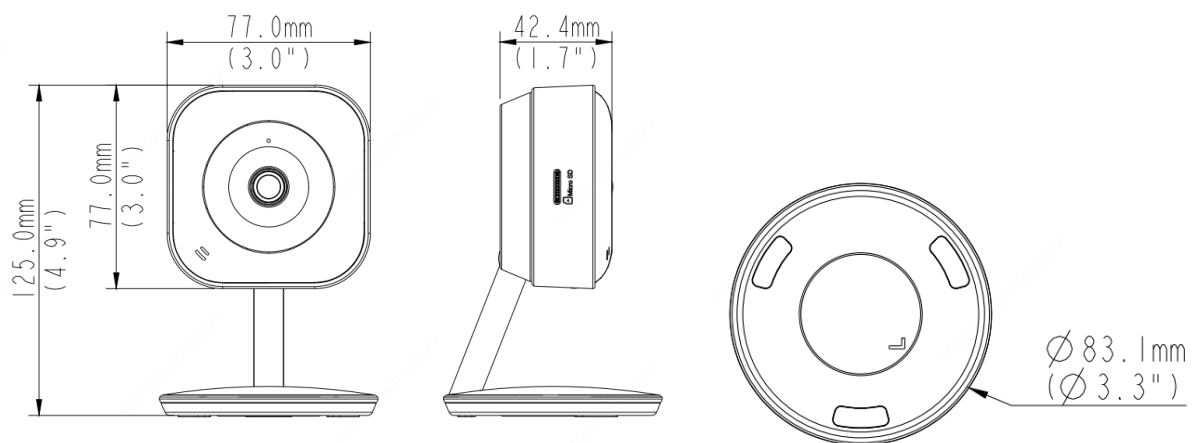
| | | |
|--|----------------------|---|
| | Frame Rate | Main Stream: 1080P (1920*1080), Max 30fps; Sub Stream: 720P (1280*720), Max 30fps; |
| | Motion Detection | Supported |
| | Tampering Alarm | Supported |
| | Audio detection | Supported |
| | Human Body Detection | Supported |

| | | |
|----------------|--------------|-----------------------|
| Storage | Edge Storage | Micro SD, up to 256GB |
|----------------|--------------|-----------------------|

| | | |
|--------------|---------------------|--------------------|
| Wi-Fi | Wireless Standards | IEEE 802.11b/g/n |
| | Frequency Range | 2.4GHz ~ 2.4835GHz |
| | Frequency Bandwidth | 20MHz |

| | | |
|------------------|------------------|-----------------------|
| Interface | Built-in Mic | Supported |
| | Built-in Speaker | Supported |
| | Network | 100M Base-TX Ethernet |

| | | |
|----------------|------------------------|--|
| General | Power | DC 5V±10% |
| | | Power consumption: Max 2.3W |
| | Weight | 0.14kg (0.31lb) |
| | Working Environment | -10°C ~ 40°C (14°F ~ 104°F), Humidity: ≤95% RH(non-condensing) |
| | Dimensions (L × W × H) | 77.0 x 42.4 x 125.0mm (3.0" × 1.7" × 4.9") |
| | Reset Button | Supported |



Zhejiang Uniview Technologies Co., Ltd.

Building No.10, Wanlun Science Park, Jiangling Road 88, Binjiang District, Hangzhou, Zhejiang, China (310051)

Email: overseasbusiness@uniview.com; globalsupport@uniview.com

<http://www.uniview.com>

©2020 Zhejiang Uniview Technologies Co., Ltd. All rights reserved.

*Product specifications and availability are subject to change without notice.